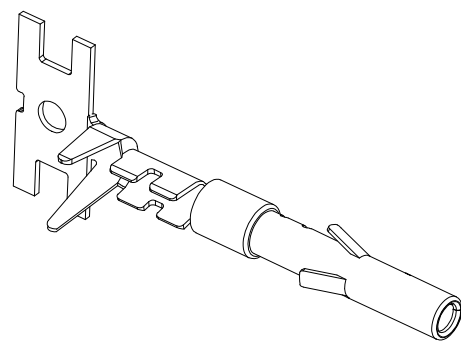
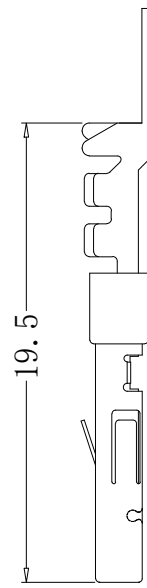
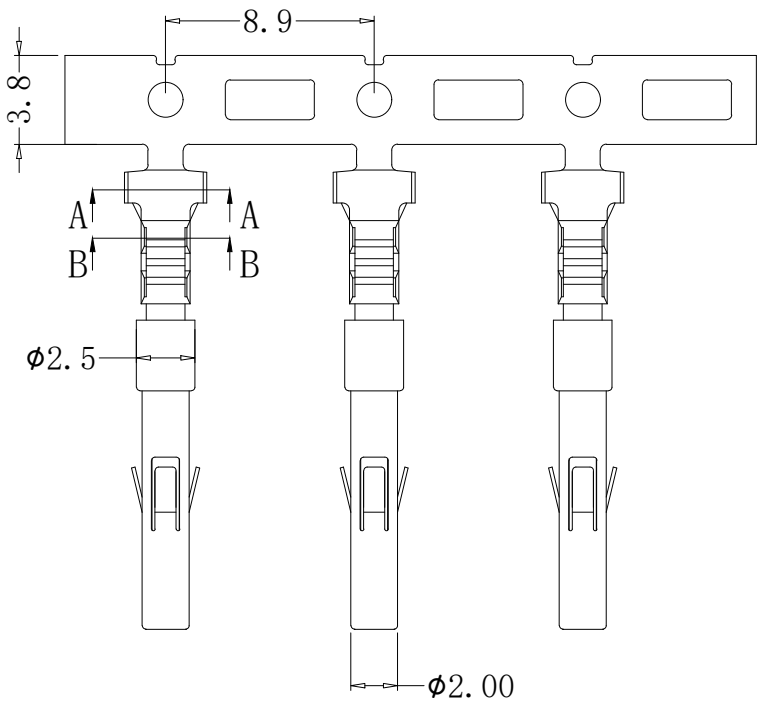


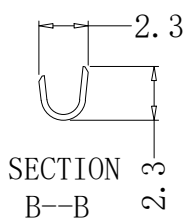
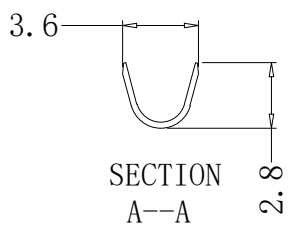
THIS DRAWING IS SUPPLIED FOR INFORMATION ONLY. DESIGN FEATURES, SPECIFICATIONS AND PERFORMANCE DATA SHOWN HEREON ARE THE PROPERTY OF THE AMPHENOL CORPORATION. NO RIGHTS OF REPRODUCTION ARE IMPLIED. ALL DIMENSIONS ARE SUBJECT TO NORMAL MANUFACTURING VARIATIONS.

REV		ZONE	ECO	DESCRIPTION	DATE	BY	APPR
A	--	--	--	INITIAL RELEASE	11/22/18	FL	JL

Customer Drawing



- 注 (NOTES):
- 对配公端直径 Suitable pin diameter: 1.0mm
 - 额定电流 Current rating: 5A
 - 端子类型 Termination type: Crimp
 - 压线规格: AWG20~22
 - 电镀信息 Plating specification: See below
 - 当 XX=01 镍底, 整个端子镀金.
When XX=01 Gold flash plate overall.
 - 当 XX=02 镍底, 接触位置镀金10u"
When XX=02 Contact plating 10u"
 - 当 XX=03 镍底, 接触位置镀金30u"
When XX=03 Contact plating 30u"
 - 当 XX=04 镍底镀锡
When XX=04 Tin over nickel
 - 材料规格 Material specification:
 - 端子: 铜合金
Contact body: Copper alloy
 - 外套: 不锈钢
Outer spring: Stainless steel
 - 符合ROHS
ROHS compliance



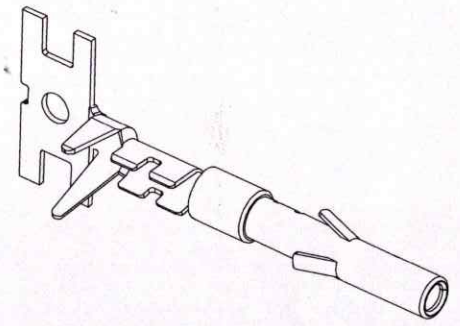
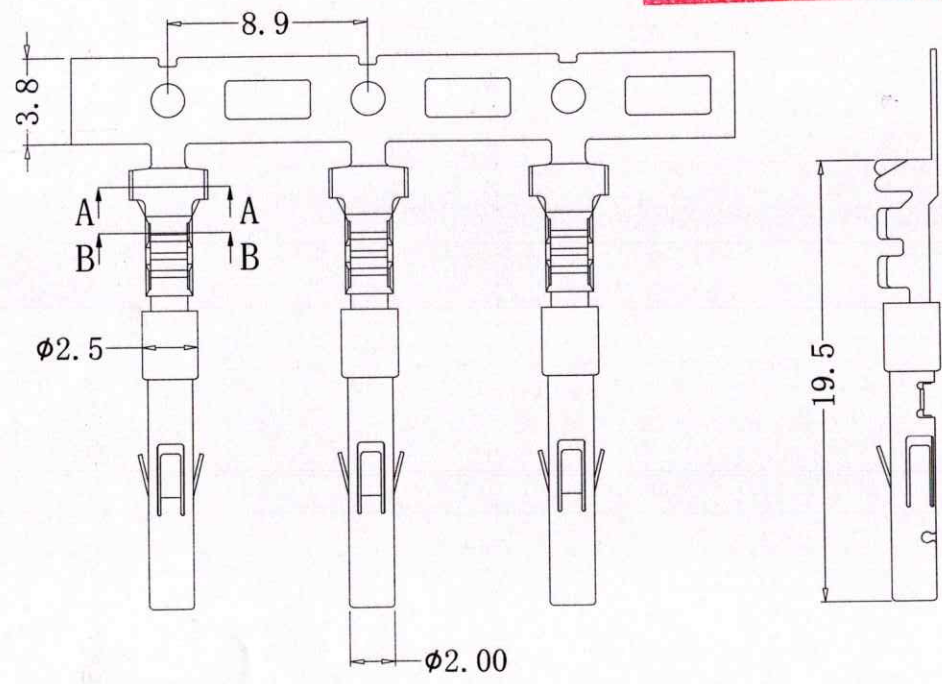
		Amphenol Technical Products International GZ				PART NAME:	
		第三角投影 THIRD ANGLE PROJECTION	页面 SHEET	幅面 SIZE	版次 REV.	比例 SCALE	HC Contact 20#Socket AWG20~22
签名 SIGNATURE		日期 DATE	UNLESS OTHERWISE SPECIFIED			DWG NO:	
制图 DRAWN	FL	11/22/18	1) All dimensions are in metric(mm). 2) Tolerances are as follows:			CUST PART #:	
审核 CHECKED	YM	11/22/18	0 PL DEC ± 1.00 1 PL DEC ± 0.50 2 PL DEC ± 0.20			N/A	
批准 APPROVAL	JL	11/22/18	Angles ±1°			CUST REV. -	

THIS DRAWING IS SUPPLIED FOR INFORMATION ONLY. DESIGN FEATURES, SPECIFICATIONS AND PERFORMANCE DATA SHOWN HEREIN ARE THE PROPERTY OF THE AMPHENOL CORPORATION. NO RIGHTS OF REPRODUCTION ARE IMPLIED. ALL DIMENSIONS ARE SUBJECT TO NORMAL MANUFACTURING VARIATIONS.

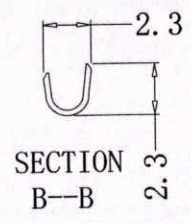
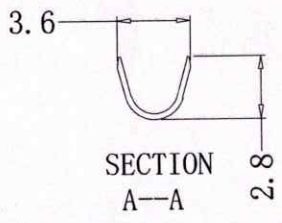
Customer Drawing

Amphenol TPI
2019-01-04
REGISTERED COPY

REV		ZONE	ECD	DESCRIPTION	DATE	BY	APPR
A	--	--	--	INITIAL RELEASE	11/22/18	FL	JL



- 注 (NOTES):
1. 对配公端直径 Suitable pin diameter: 1.0mm
 2. 额定电流 Current rating: 5A
 3. 端子类型 Terminatin type: Crimp
 4. 压线规格: AWG20~22
 5. 电镀信息 Plating specification: See below
 - 5.1. 当 XX=01 镍底, 整个端子镀金.
When XX=01 Gold flash plate overall.
 - 5.2. 当 XX=02 镍底, 接触位置镀金10u"
When XX=02 Contact plating 10u"
 - 5.3. 当 XX=03 镍底, 接触位置镀金30u"
When XX=03 Contact plating 30u"
 - 5.4. 当 XX=04 镍底镀锡
When XX=04 Tin over nickel
 6. 材料规格 Material specification:
 - 6.1. 端子: 铜合金
Contact body: Copper alloy
 - 6.2. 外套: 不锈钢
Oter spring: Stainless steel
 7. 符合ROHS
ROHS compliance



AMPHENOL		Amphenol Technical Products International GZ					
TPI		第三角投影 THIRD ANGLE PROJECTION	页面 SHEET	幅面 SIZE	版次 REV.	比例 SCALE	PART NAME: HC Contact 20#Socket AWG20~22
			1 of 1	A3	A		DWG NO: HCTF121XX
签名 SIGNATURE		日期 DATE		UNLESS OTHERWISE SPECIFIED			
制图 DRAWN		11/22/18		1) All dimensions are in metric (mm).			
审核 CHECKED		11/22/18		2) Tolerances are as follows:			
批准 APPROVAL		11/22/18		0 PL DEC ± 1.00			
				1 PL DEC ± 0.50			
				2 PL DEC ± 0.20			
				Angles ±1°			
				CUST PART #: N/A			
				CUST REV. -			

2018.01.30